

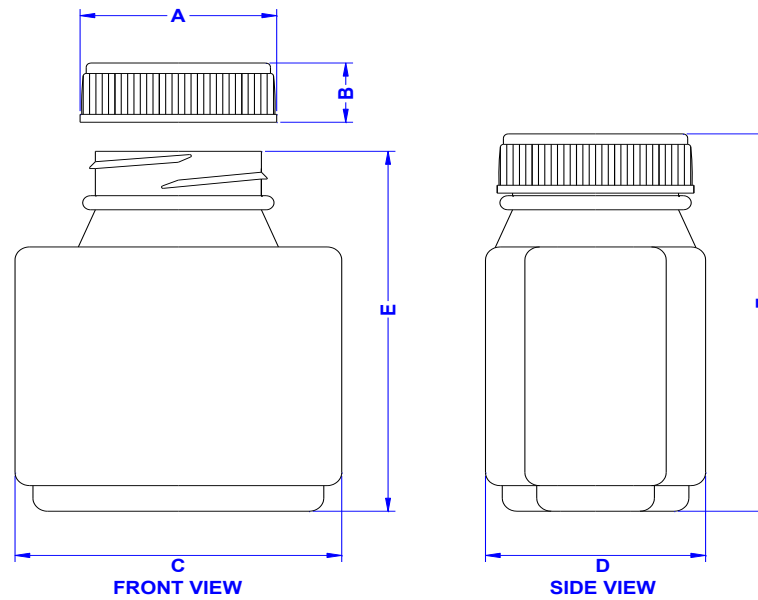
★ Star Plastic Industries

Manufacturers of Pharmaceutical, Industrial, Food Packaging and Precision Components

92, G.I.D.C. ESTATE, MAKARPURA, BARODA – 390 010

PH.: 2643457, 2632649 FAX: 0265 - 2631932

Welpac "E" Series Jar



| Sr. No. | Size | Capacity ml. | Approx. Brim ml. | Dimensions (mm) | | | | | | | | | | | | Weights (gms) | | | |
|---------|-------|--------------|------------------|-----------------|----------|---------|----------|-----------|----------|---------------|----------|---------|----------|--------------|----------|---------------|----------|-----|----------|
| | | | | Cap O.D. | | Cap Ht. | | Jar Width | | Jar Thickness | | Jar Ht. | | Ht. With Cap | | Cap | Tol. +/- | Jar | Tol. +/- |
| | | | | A | Tol. +/- | B | Tol. +/- | C | Tol. +/- | D | Tol. +/- | E | Tol. +/- | F | Tol. +/- | | | | |
| 1 | 100-E | 95 | 95 | 33.3 | 0.5 | 11.3 | 0.5 | 55.8 | 0.5 | 37.3 | 0.5 | 71.5 | 0.5 | 72.5 | 0.5 | 1.6 | 0.3 | 10 | 0.5 |

| Raw Material | CAP | POLYPROPYLENE POLYMERS |
|--------------|-----|------------------------------------|
| | JAR | HIGH DENSITY POLYETHYLENE POLYMERS |